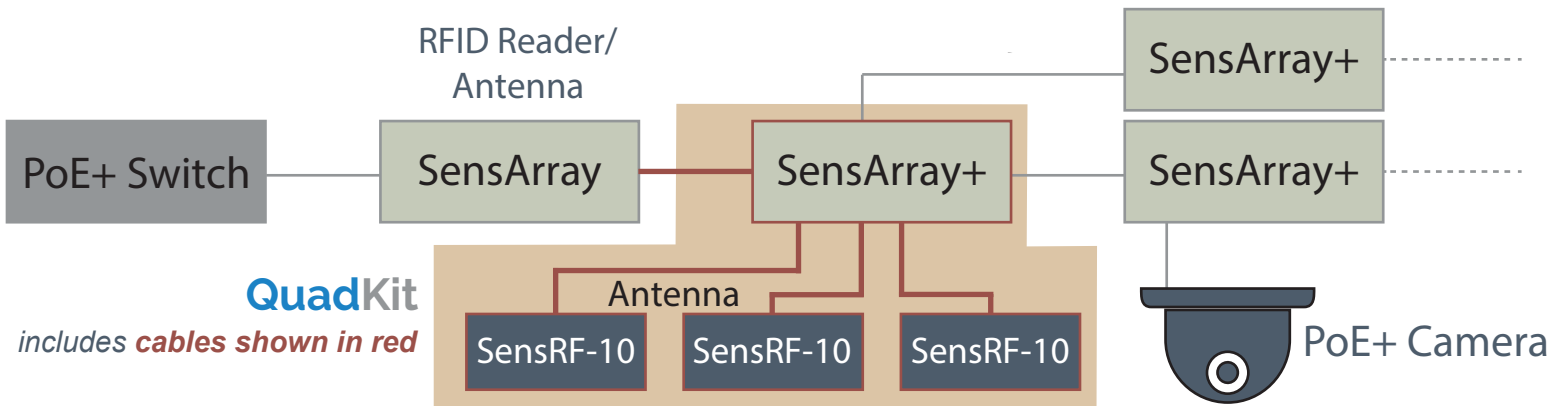




The QuadKit® is a 4-read point kit including the SensArray®+ and all additional antenna and cables required to create a complete 4-read point solution. The SensArray+ is a disruptive solution designed to elegantly implement networked RFID solutions at dramatically lower costs. This kit, clearly demonstrates the simplicity and low infrastructure cost. The unit may be powered with another SensArray or either of the optional PoE+ power injector or 56V DC power supplies.

QUADKIT CONTENTS (Highlighted Inside a SensArray Network)



Description	Included in Quadkit
SensArray+ (33111FF)	1
SensRF - 10 Antennas	3
Antenna cabling	3
Ethernet Cat6 cabling	1
Optional POE+ Injector	PN SPOE29WC4, not included
Optional DC power input	PN SPS75W56VDC, not included

Power and RF

Feature	Specification
Data Interface	TCP/IP (RJ-45), 3 ports
POE+ Class 4	RJ-45, PD on Port 0, PSE on Ports 1 and 2 PoE+ injector, PN SPOE29WC4
DC power input	56VDC input DC power supply, PN SPS75W56VDC
Software Support	APIs, DLL, sample code, RFID Console
Power Consumption (30dBm)	9W typical
Power Consumption (Idle)	3W typical
Max chain length, one unit 30 dBm	4, with the SensThys power injector 5, with the SensThys DC power supply
Reader Architecture	Impinj R2000 Platform
Reader Protocol	EPC Class 1 Gen 2 and 18000 – 6C
Operating Frequency	902.75 MHz – 927.25 MHz
RF Transmitter	< 30 dBm
Modulation Methods	PR-ASK, DB-ASK
20 db Modulation Bandwidth	< 100 KHz
Internal Antenna	8.5 dBic, right-hand circular
External Antennas	3 x SensRF – 10, 8.5 dBic, right-hand circular

Physical and Cabling

Feature	Specification
Dimensions	(cm) 25.4 x 25.4 x 2.0 • (in) 10 x 10 x 0.8
Weight	Approximately 0.79 kg (1.73 lbs)
Operating Temperature	0C to +50C (for 20% average duty cycle)
Maximum Duty Cycle (30dBm)	50% at 35C, 30% at 45C, 20% at 50C
Operating Environment	0 to 50C, non-condensing
Ethernet	50 ft of Cat6, low-loss, white
Antenna	3 RP SMA cables, 12 ft, labeled
Compliance Certifications	FCC Part 15; FCCID: 2ANPR-SENSARRAY IC: 23135-SENSARRAY Safety tested to unified 60950-1 (CB Report)

QuadKit

SensThys, Inc • 21060 Homestead Road • Suite 226 • Cupertino • CA 95014 • www.sensthys.com