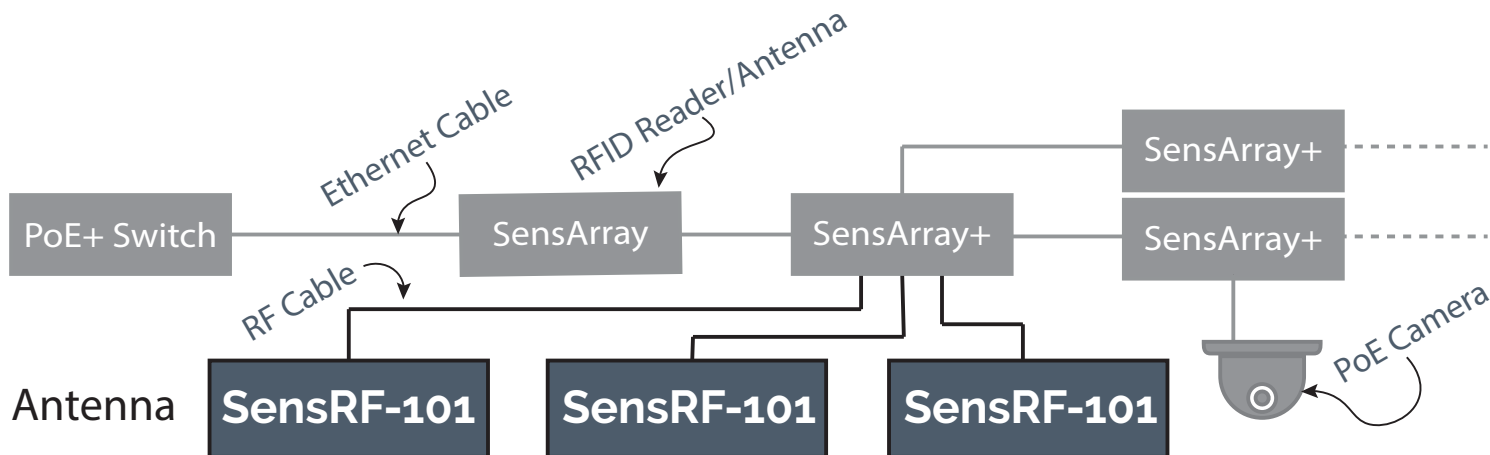




The SensRF[®]-101 is a next generation, 9dBic antenna designed for **simplicity** of use in **mass volume installations that doesn't compromise on performance or quality**. The design of this antenna enables industry leading pricing but without sacrificing the stringent product needs imposed by Fortune 500 company usage. This 10" x 10" form-factor antenna is approximately 0.8" thin and includes a robust SMA connector. Despite its aggressive form-factor and price positioning, SensRF-101 provides excellent RF characteristics equivalent to the leading antennas on the market (see overleaf specs). The antenna is also broadband covering 865MHz - 928MHz in a single model.

The SensRF-101 is low-profile and aesthetically pleasing to blend into offices or commercial environments, yet tough enough to be used in warehouses and production lines (IP68). It can be provided with custom logos or graphics to suite the installation environment. Finally, the SensRF-101 can be used with any RFID reader and can be supplied either with a through-hole flush mount or a VESA 100mm stud mount and left-hand or right-hand circular polarization options.

EXAMPLE USE OF SENS RF-101 ANTENNA IN A SENSARRAY READER NETWORK

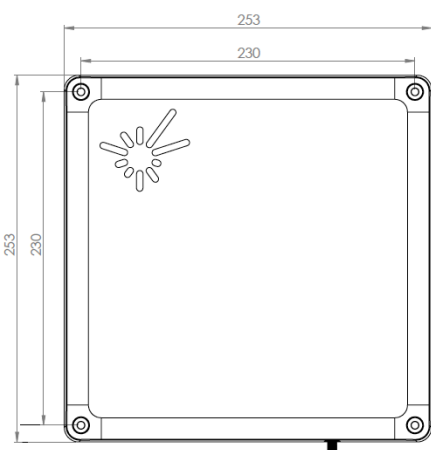


| What Does This Do For Me | How? |
|---|---|
| Minimizes Infrastructure Cost | Industry leading price positioning |
| | Pairs easily to SensArray low cost reader/antenna combo |
| | Low cost installation with mounting options |
| Aesthetically Acceptable in Professional Working Environments | Low profile (22mm/0.8") antenna |
| | Supports thin SMA type RF cable |
| | Comes plain but optional silk screening or custom covers are available |
| Provides Excellent RF Performance for my Reader | 9dBic gain |
| | 1.3:1 maximum VSWR |
| | 20dB front to back ratio |
| Tough and Robust | DC grounded (lightning protection) |
| | IP68 |
| | Polycarbonate radome |
| Flexible options | Flush/through-hole mounting or VESA 100mm mounting |
| | Right-Hand (default) or Left-Hand Circular Polarization (useful when facing a RHCP antenna in a portal) |

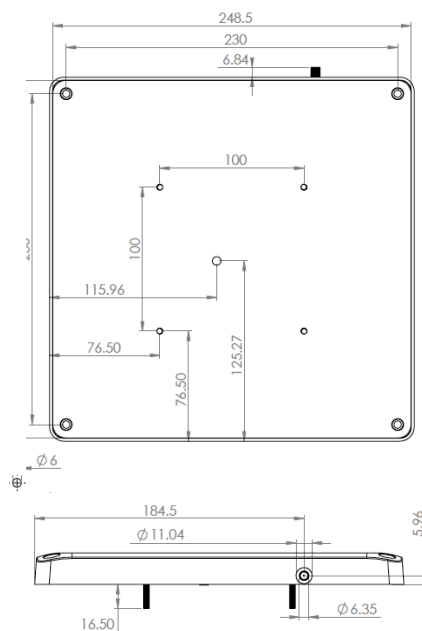
PHYSICAL and ENVIRONMENTAL

| Feature | Specification |
|-----------------------|--|
| Dimensions | (cm) 25.4 x 25.4 x 2.1 • (in) 10 x 10 x 0.83 |
| Weight | Approximately 790 grams (1lbs 12oz) |
| Connector | SMA (female) connector |
| Operating Temperature | -25C to +70C |
| Lightning Protection | DC Grounded |
| Environmental Rating | IP 68 |
| Radome | Polycarbonate |
| Mounting | Through hole flush mount or 100mm studded VESA mount option (SKU variants) |

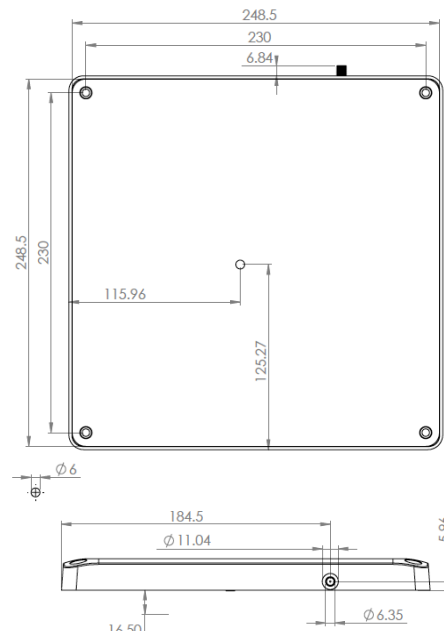
Top



VESA 100mm Studded Mount



Through-hole Flush Mount



RF

| Feature | Specification |
|-------------------------|--|
| Operating Frequency | 865MHz - 928MHz (covering ETSI and FCC in one model) |
| Internal Antenna | 9 dBiC, right-hand circular or left-hand circular (SKU variants) |
| Maximum VSWR | 1.3:1 |
| 3dB Beamwidth - Azimuth | 70° |
| Front to Back Ratio | 20dB |
| Maximum Input Power | 10W |
| Input Impedance | 50 Ohms |

ORDERING INFORMATION - Order at <https://www.senssthy.com/shop/>

| Model (All models 865-928 MHz) | Circular Polarization Type | Mounting Option | Part Number |
|--------------------------------|--|------------------------------|-------------|
| SensRF-101 Flush Mount | Right-Hand (RHCP) (if in doubt, RHCP is good for most applications) | Flush/Flat with through hole | A0101-RWF |
| SensRF-101 VESA Mount | | Studded 100mm VESA | A0101-RWV |
| SensRF-101 Flush Mount | Left-Hand (LHCP) | Flush/Flat with through hole | A0101-LWF |
| SensRF-101 VESA Mount | | Studded 100mm VESA | A0101-LWV |

SensThys, Inc · 21060 Homestead Road · Suite 226 · Cupertino · CA 95014 · www.senssthy.com