

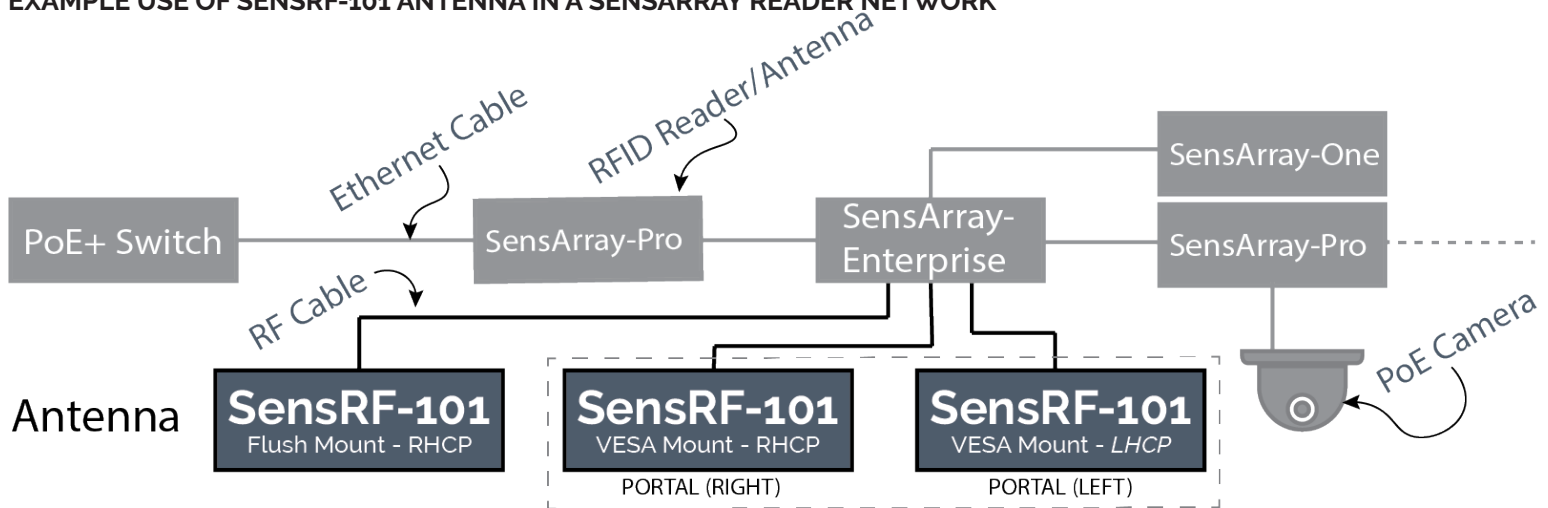
# SensRF<sup>®</sup>-101



The SensRF<sup>®</sup>-101 is a next generation, 9dBic antenna designed for **simplicity** of use in **mass volume installations that doesn't compromise on performance or quality**. The design of this antenna enables industry leading pricing but without sacrificing the stringent product needs imposed by Fortune 500 company usage. This 10" x 10" form-factor antenna is approximately 0.8" thin and includes a robust SMA connector. Despite its aggressive form-factor and price positioning, SensRF-101 provides excellent RF characteristics equivalent to the leading antennas on the market (see overleaf specs). The antenna is also broadband covering 865MHz - 928MHz in a single model.

The SensRF-101 is low-profile and aesthetically pleasing to blend into offices or commercial environments, yet tough enough to be used in warehouses and production lines (IP68). It can be provided with custom logos or graphics to suite the installation environment. Finally, the SensRF-101 can be used with any RFID reader and can be supplied either with a through-hole flush mount or a VESA 100mm stud mount and left-hand or right-hand circular polarization options.

## EXAMPLE USE OF SENS RF-101 ANTENNA IN A SENSARRAY READER NETWORK

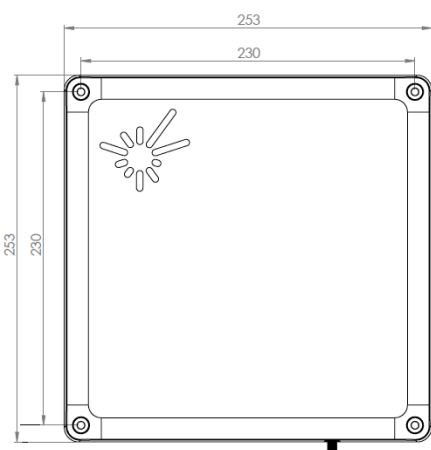


What Does This Do For Me	How?
Minimizes Infrastructure Cost	Industry leading price positioning
	Pairs easily to SensArray low cost reader/antenna combo
	Low cost installation with mounting options
Aesthetically Acceptable in Professional Working Environments	Low profile (22mm/0.8") antenna
	Supports thin SMA type RF cable
	Comes plain but optional silk screening or custom covers are available
Provides Excellent RF Performance for my Reader	9dBic gain
	1.3:1 maximum VSWR
	20dB front to back ratio
Tough and Robust	DC grounded (lightning protection)
	IP68
	Polycarbonate radome
Flexible options	Flush/through-hole mounting or VESA 100mm mounting
	Right-Hand (default) or Left-Hand Circular Polarization (useful when facing a RHCP antenna in a portal)

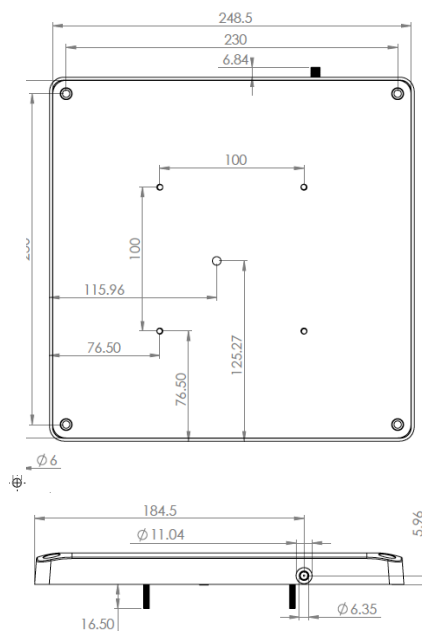
## PHYSICAL and ENVIRONMENTAL

Feature	Specification
Dimensions	(cm) 25.4 x 25.4 x 2.1 • (in) 10 x 10 x 0.83
Weight	Approximately 790 grams (1lbs 12oz)
Connector	SMA (female) connector
Operating Temperature	-25C to +70C
Lightning Protection	DC Grounded
Environmental Rating	IP 68
Radome	Polycarbonate
Mounting	Through hole flush mount or 100mm studded VESA mount option (SKU variants)

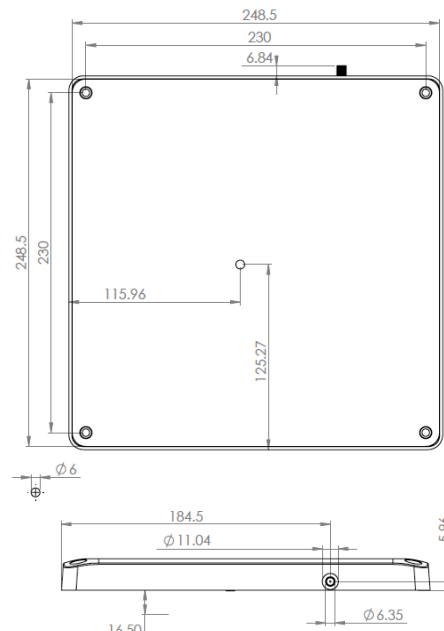
Top



VESA 100mm Studded Mount



Through-hole Flush Mount



## RF

Feature	Specification
Operating Frequency	865MHz - 928MHz (covering ETSI and FCC in one model)
Internal Antenna	9 dBiC, right-hand circular or left-hand circular (SKU variants)
Maximum VSWR	1.3:1
3dB Beamwidth - Azimuth	70°
Front to Back Ratio	20dB
Maximum Input Power	10W
Input Impedance	50 Ohms

## ORDERING INFORMATION - Order at <https://www.senssthy.com/shop/>

Model (All models 865-928 MHz)	Circular Polarization Type	Mounting Option	Part Number
SensRF-101 Flush Mount	Right-Hand (RHCP) (if in doubt, RHCP is good for most applications)	Flush/Flat with through hole	A0101-WRF
SensRF-101 VESA Mount		Studded 100mm VESA	A0101-WRV
SensRF-101 Flush Mount	Left-Hand (LHCP)	Flush/Flat with through hole	A0101-WLF
SensRF-101 VESA Mount		Studded 100mm VESA	A0101-WLV

SensThys, Inc · 21060 Homestead Road · Suite 226 · Cupertino · CA 95014 · [www.senssthy.com](http://www.senssthy.com)