

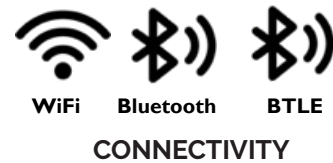
# CS108 Sled Handheld



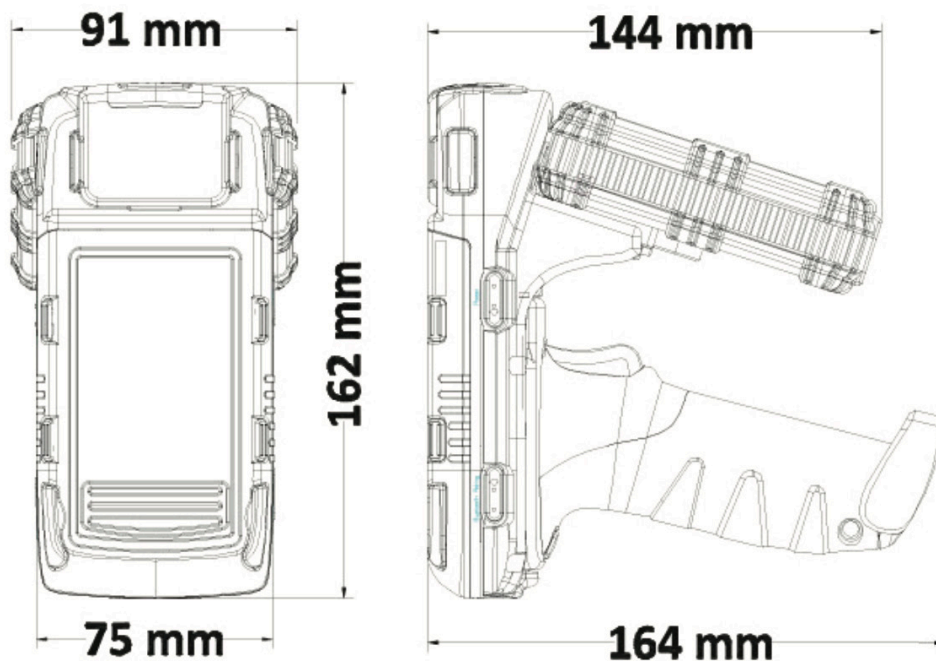
The CS108 is the best in class read range UHF RFID Sled Reader in the market. It works with all Android phones, iPhones and tablets enabling the use of modern day operating systems including the latest versions of iOS and Android.

The CS108 enables fast inventory of items in business processes where fixed reader class performance is required in a portable device. CS108 is used globally in many mission critical government, industrial and commercial applications.

- Read RFID tags and barcodes with one device.
- Use any size smart device and operating system.
- Mounting options for tablets or thick enterprise devices.
- Read passive RFID temperature sensor tags.



Key Features	How?
Best in class read range	<ul style="list-style-type: none"> <li>• Up to 18 meters with Linear Polarized.</li> <li>• Up to 15 meters with Circular Polarized Antenna. (tag and environment dependent)</li> </ul>
Antenna options	<ul style="list-style-type: none"> <li>• Vertically linear polarized</li> <li>• Horizontally linear polarized</li> <li>• Circular polarized (default)</li> </ul>
Ruggedized design	<ul style="list-style-type: none"> <li>• Drop test 1.2 meters on 6 surfaces,</li> <li>• IP54 rated</li> </ul>
Barcode	Optional 2D barcode module
Pairs with variety of smart devices	<ul style="list-style-type: none"> <li>• iPhone, iPad</li> <li>• Android</li> <li>• Windows 10 tablets</li> </ul>
API's	<ul style="list-style-type: none"> <li>• Andoid, iOS, Linux, Windows. <a href="https://github.com/cs1rfid">https://github.com/cs1rfid</a></li> </ul>



**Optional  
2D Barcode  
Scanner**



**Dual Battery  
Charger**



**Extra Battery**



## Specifications

Feature	Specification
Dimensions	Length: 161 mm (6.34 in); Width: 90 mm (3.54 in); Height: 161 mm (6.34 in); Weight: 639 g (without 2D Barcode Module).
Read Range	<ul style="list-style-type: none"> <li>Up to 20 meters with Linear Polarized Antenna (tag and environment dependent)</li> <li>Up to 15 meters with Circular Polarized Antenna (tag and environment dependent)</li> </ul>
Protocol	ISO18000-6C, EPC UHF Class 1 Gen 2, Dense Reader Mode available (Class 3 Gen 2 compliant)
Frequency Range:	One of the following: 865-868 MHz, 865-867 MHz, 902-928 MHz, 922-928 MHz, 920-925 MHz, 915-922 MHz, 915-921 MHz
Memory Read Capability:	All banks any sizes (e.g. 240 bits bank1, 512 bits bank3), Per "Tag Read" RSSI value
Barcode Scanner	2D module option available
Antenna Polarization	Vertically linear/ Horizontally linear/ Circular polarized
Environment	Operating Temp: -20° C to 55° C (-4° F to 131° F) Storage Temp: -40° C to 75° C (-40° F to 167° F)
Ruggedized Design	Drop test 1.2 meters on the six sides; IP54
Interfaces	Android Phone, iPhone, Windows PC, Linux PC
Battery Capacity	3,400 mAh, field replaceable Option: extra battery (CS1088); external charger (CS108C)
Source Code Sample	Read/ Write tag, Tag inventory/ ranging/ search/ authentication/ association/ commissioning, Barcode scanning, database manipulation, wireless network transfer, server side driver, etc.

## ORDERING INFORMATION - Order at <https://www.sensthys.com/shop/>

Model	Antenna Type	Barcode	Region	Example Part Number
CS108	C = Circular	Blank - No barcode	1 - Europe/ETSI	CS108-C1 Circular antenna, no barcode, ETSI CS108-H2D2 Horizontal antenna, 2D barcode, FCC CS108-V2D9 Vertical antenna, 2D barcode, EU 900MHz
	V = Vertical	2D = 2d Barcode	2 - NorthAmerica/FCC	
	H = Horizontal		2AS - Australia	
			7 - China	
			8 - Japan	
			9 - ETSI 900MHz Upper Band	
			Others available upon request	

**SensThys, Inc** · 21060 Homestead Road · Suite 226 · Cupertino · CA 95014 · [www.sensthys.com](http://www.sensthys.com)