

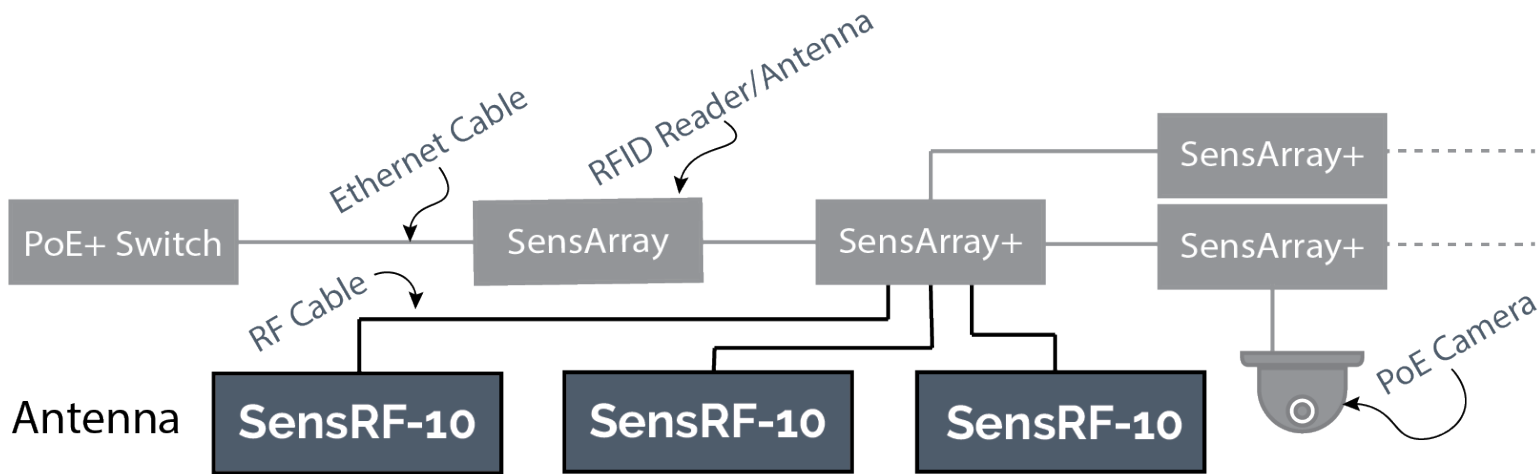


The SensRF[®]-10 is a **thin form-factor**, 8.5dBic antenna designed for **simplicity** of use in **mass volume installations**. This 10" x 10" foot-print antenna is approximately ½" thin and includes a robust SMA connector. Despite its aggressive form-factor, the SensRF-10 provides excellent RF characteristics.

The SensRF-10 is low profile and aesthetically pleasing to blend into offices or commercial environments, yet tough enough to be used in warehouses and production lines (IP67). The SensRF-10 can be provided with custom logos (no logo's by default) or graphics to suite the installation environment.

The SensRF-10 can be used with any RFID reader and can be supplied either with through-hole flush mount or VESA 100mm stud mount.

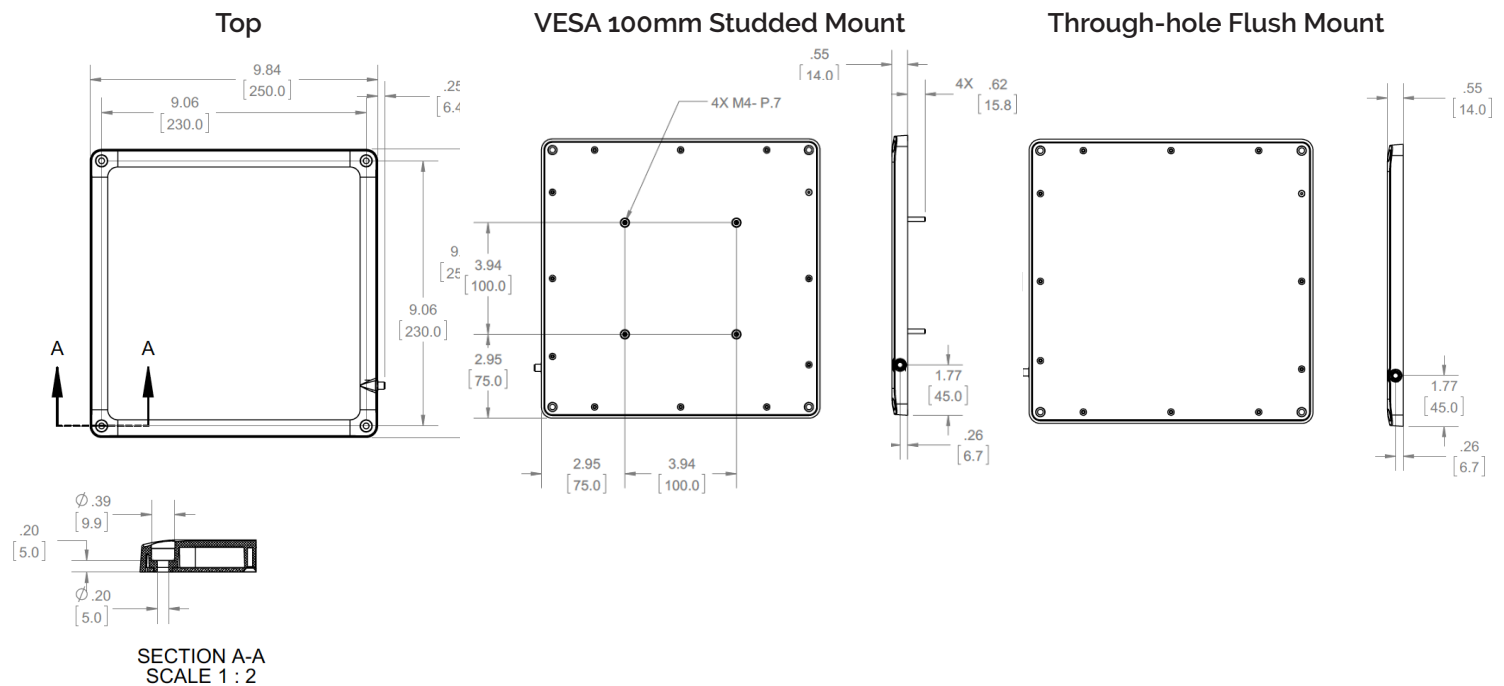
EXAMPLE USE OF SENSRF-10 ANTENNA IN A SENSARRAY READER NETWORK



What Does This Do For Me	How?
	Pairs easily to SensArray low cost reader/antenna combo
	Low cost installation with mounting options
Aesthetically Acceptable in Professional Working Environments	Low profile (14mm/0.55") antenna
	Supports thin SMA type RF cable (we can provide white cables)
	Comes standard without logo's
	Optional silk screening or custom covers with volume commitments
Provides Excellent RF Performance for my Reader	8.5dBic gain
	13:1 maximum VSWR
	20dB front to back ratio
Tough and Robust	DC grounded (lightning protection)
	IP67

PHYSICAL and ENVIRONMENTAL

Feature	Specification
Dimensions	(cm) 25.0 x 25.0 x 1.40 · (in) 9.85 x 9.85 x 0.55
Weight	750 g · 1.6 lbs
Connector	SMA connector
Operating Temperature	-20°C to +55°C · -4°F to 131°F
Storage Temperature	-30°C to +65°C · -22°F to +149°F
Lightning Protection	DC Grounded
Environmental Rating	IP 67
Radome	UV-Resistant ABS
Mounting	Through hole flush mount option or 100mm studded VESA mount option



RF

Feature	Specification
Operating Frequency	ETSI:865-868 MHz; FCC:902-928 MHz (different models)
Internal Antenna	8.5 dBi, right-hand circular
Maximum VSWR	1.3:1
3dB Beamwidth - Azimuth	68°
Front to Back Ratio	20dB
Maximum Input Power	10W
Input Impedance	50 Ohms
Axial Ratio	1dB typical; 2dB max

ORDERING INFORMATION - Order at <https://www.sensthus.com/shop/>

Model	Region	Mounting Option	Part Number
SensRF-10 Flush / FCC	FCC 902-928 MHz	Flush/Flat	A0051-FRF
SensRF-10 VESA / FCC	FCC 902-928 MHz	Studded 100mm VESA	A0051-FRV
SensRF-10 Flush / ETSI	ETSI 865-868 MHz	Flush/Flat	A0051-ERF
SensRF-10 VESA / ETSI	ETSI 865-868 MHz	Studded 100mm VESA	A0051-ERV

SensThys, Inc · 21060 Homestead Road · Suite 226 · Cupertino · CA 95014 · www.sensthus.com