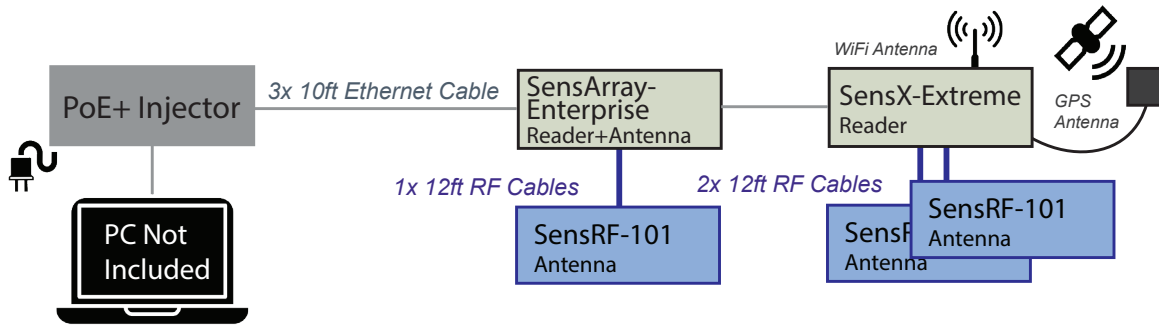


SensThys offers a single kit to help customers get a taste of our technology, experience our differentiation and to accelerate your early developments. The kit comes with all needed cables, antenna, Power-over-Ethernet power source, tags and of course the readers! All these are neatly packaged into a reusable, foam slotted, corrugated plastic case to ease your transportation and storage.

## QuadKit-Mix Our EvalKit



**This kit includes both of our main readers**, the SensArray-Enterprise and the SensX-Extreme with 2-read-points each (2 external antenna with Extreme and 1 external + one internal on Enterprise) and all the cables, accessories, power supplies (a single PoE) and tags to get you started.

The **SensArray-Enterprise** is a novel RAIN RFID reader that also contains an 8.5dBic antenna, network switch and power distribution system. Combined these massively reduce infrastructure and installation costs. All of these elements are consolidated into a svelte, attractive 10" x 10" form-factor. The SensArray Enterprise operates at a full industry maximum of +33dBm via the 90W Class 8 PoE input, so no separate DC power input is required.

Unlike other readers, the SensArray-Enterprise passes power out to any additional PoE devices in the network including other SensArray readers, massively reducing cabling and increasing install flexibility.

This kit also includes the new **SensX EXTREME** rugged reader which is enclosed in the industry's highest rated IP67 industrial and weather-tight chassis. Operators can now install RFID reader networks in places where traditional readers have previously not



been suited, inside or out. No NEMA box required!

In addition to RFID, SensX includes many of the sensors and communication capabilities you probably have in your cell phone today: Bluetooth; WiFi; gyroscope; 3-axis accelerometer; barometer; and GPS. Finally a complete Linux subsystem supports local tag processing and business intelligence.

Contents	Number
SensArray-Extreme	1
SensArray-Enterprise	1
SensRF-101 Antenna (one internal to the SensArray)	3
Antenna cabling (RTNC to SMA, 10ft)	2
Antenna cabling (RSMA to SMA, 10ft)	1
Ethernet Cat6 cabling (10ft)	3
POE+ Injector	1
GPS Antenna	1
WiFi Antenna	1
GPIO connector/cable	1
Re-usable corrugated plastic case	1

Variant	Region	Model #
QuadKit-Mix	FCC/North America (Flush mount)	QKMx-FF
	ETSI/Europe (Flush mount)	QKMx-EF