

CS108 Sled Handheld

An EPIC Native reader



EPIC
Always Right

The CS108 is the best in class read range UHF RFID Sled Reader in the market. It works with all Android phones, iPhones and tablets enabling the use of modern day operating systems including the latest versions of iOS and Android.

This is an **EPIC native reader** which offers:

- Guaranteed Data
- Infinite Tag Life

The CS108 enables fast inventory of items in business processes where fixed reader class performance is required in a portable device. CS108 is used globally in many mission critical government, industrial and commercial applications.

- Read RFID tags and barcodes with one device.
- Use any size smart device and operating system.
- Mounting options for tablets or thick enterprise devices.
- Read passive RFID temperature sensor tags.



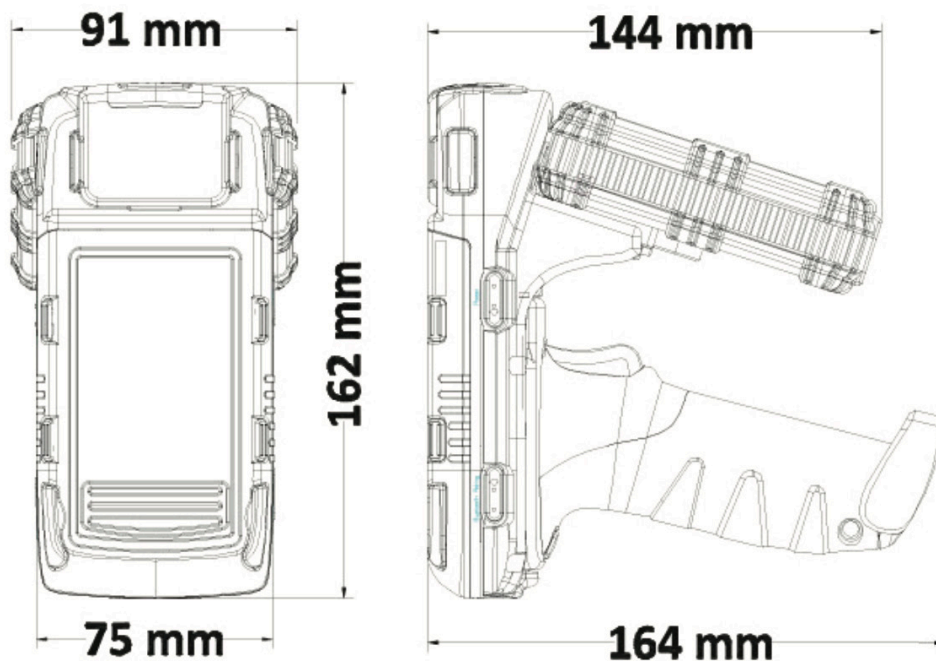
OPERATING SYSTEMS



CONNECTIVITY



Key Features	How?
Absolutely guarantee data from your RFID system: Never see bad data from your tags. Never see phantom/ghost tags. Extend the lifetime of your tags	EPIC tags are natively decoded by this reader. This reader supports both Level 2 and Level 4 EPIC decoding. Fixes data corrupted in the tags memory AND during transmission.
Best in class read range	<ul style="list-style-type: none"> • Up to 18 meters with Linear Polarized. • Up to 15 meters with Circular Polarized Antenna. (tag/environment dependent)
Antenna options	<ul style="list-style-type: none"> • Vertically linear polarized • Horizontally linear polarized • Circular polarized (default)
Ruggedized design	<ul style="list-style-type: none"> • Drop test 1.2 meters on 6 surfaces, • IP54 rated
Barcode	Optional 2D barcode module
Pairs with variety of smart devices	<ul style="list-style-type: none"> • iPhone, iPad • Android • Windows 10 tablets
API's	<ul style="list-style-type: none"> • Andoid, iOS, Linux, Windows. https://github.com/cs1rfid



Optional
2D Barcode
Scanner



Dual Battery
Charger



Extra Battery



Specifications

Feature	Specification
Dimensions	Length: 161 mm (6.34 in); Width: 90 mm (3.54 in); Height: 161 mm (6.34 in); Weight: 639 g (without 2D Barcode Module).
Read Range	<ul style="list-style-type: none"> Up to 20 meters with Linear Polarized Antenna (tag and environment dependent) Up to 15 meters with Circular Polarized Antenna (tag and environment dependent)
Protocol	ISO18000-6C, EPC UHF Class 1 Gen 2, Dense Reader Mode available (Class 3 Gen 2 compliant)
Frequency Range:	One of the following: 865-868 MHz, 865-867 MHz, 902-928 MHz, 922-928 MHz, 920-925 MHz, 915-922 MHz, 915-921 MHz
Memory Read Capability:	All banks any sizes (e.g. 240 bits bank1, 512 bits bank3), Per "Tag Read" RSSI value
Barcode Scanner	2D module option available
Antenna Polarization	Vertically linear/ Horizontally linear/ Circular polarized
Environment	Operating Temp: -20° C to 55° C (-4° F to 131° F) Storage Temp: -40° C to 75° C (-40° F to 167° F)
Ruggedized Design	Drop test 1.2 meters on the six sides; IP54
Interfaces	Android Phone, iPhone, Windows PC, Linux PC
Battery Capacity	3,400 mAh, field replaceable Option: extra battery (CS1088); external charger (CS108C)
Source Code Sample	Read/ Write tag, Tag inventory/ ranging/ search/ authentication/ association/ commissioning, Barcode scanning, database manipulation, wireless network transfer, server side driver, etc.

ORDERING INFORMATION - Order at <https://www.sensthys.com/shop/>

Model	Antenna Type	Barcode	Region	Example Part Number
CS108	C = Circular	Blank - No barcode	1 - Europe/ETSI	CS108-C1 Circular antenna, no barcode, ETSI CS108-H2D2 Horizontal antenna, 2D barcode, FCC CS108-V2D9 Vertical antenna, 2D barcode, EU 900MHz
	V = Vertical	2D = 2d Barcode	2 - NorthAmerica/FCC	
	H = Horizontal		2AS - Australia	
			7 - China	
			8 - Japan	
			9 - ETSI 900MHz Upper Band	
			Others available upon request	

SensThys, Inc · 21060 Homestead Road · Suite 226 · Cupertino · CA 95014 · www.sensthys.com